

SERIES K8DV SOLENOID VALVES WITH FLUID SEPARATION MEMBRANE



The K8DV solenoid valve was born to meet all the demands to shut off aggressive or heat sensitive fluids. Thanks to a fluid separation membrane, the fluid is isolated from all internal metal parts of the solenoid valve and avoids heating, even if minimum, generated by the solenoid positioned above.

To choose the most suitable model for a specific application, check the chemical compatibility of the medium to control with the available materials of body and seals.

2/2-way - Normally Closed (NC)

**Very compact design
and reduced weight**

High flow performances

Very low internal volume

**Suitable to be applied
in medical equipment
and analytical instruments**

General data

TECHNICAL FEATURES	
Function	2/2 NC
Operation	directly operated with fluid separation membrane
Pneumatic connections	cartridge for manifold or flanged for subbase
Nominal diameter	0.7 mm
Flow efficient kv (l/min)	0.1
Operating pressure	0 ÷ 2.1 bar
Operating temperature	5 ÷ 50°C
Media	liquids / aggressive or inert gases
Response time (ISO 12238)	ON ≤ 10 ms - OFF ≤ 15 ms
Installation	in any position

MATERIALS IN CONTACT WITH THE MEDIUM	
Body	PEEK
Seals	FKM - EPDM

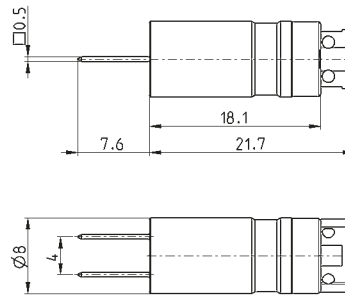
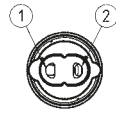
ELECTRICAL FEATURES	
Voltage	24 V DC - 12 V DC - 6 V DC - 5 V DC - 3 V DC - other voltages on demand
Voltage tolerance	±10%
Power consumption	0.6 W
Duty cycle	ED 100%
Electrical connection	2 Pins 0.5 x 0.5 spacing 4 mm
Protection class	IP00

Coding example

K8DV	C	00	-	5	0	5	-	G	2	3
-------------	----------	-----------	----------	----------	----------	----------	----------	----------	----------	----------

K8DV	SERIES
C	TYPE OF BODY: C = cartridge version 0 = flanged version
00	NUMBER OF POSITIONS: 00 = valve without housing
5	NUMBER OF WAYS - FUNCTIONS: 5 = 2-way NC
0	SEAL MATERIAL: 0 = FKM 4 = EPDM
5	NOMINAL DIAMETER: 5 = 0.7 mm
G	BODY MATERIAL: G = PEEK
2	ELECTRICAL CONNECTION: 2 = interface pin size 4 mm
3	VOLTAGE - POWER CONSUMPTION: 1 = 6V DC - 0.6 W 2 = 12V DC - 0.6 W 3 = 24V DC - 0.6 W 4 = 3V DC - 0.6 W 5 = 5V DC - 0.6 W

Cartridge version

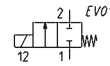


DRAWING LEGEND:

- 1 = supply
- 2 = inlet

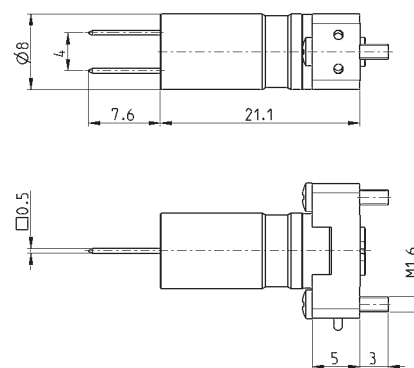
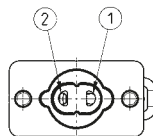
NOTE TO THE TABLE:

* to complete the code add
VOLTAGE - POWER CONSUMPTION
(see the CODING EXAMPLE)



Mod.	Nominal diameter Ø (mm)	kv (l/min)	Min÷max pressure (bar)	Body material	Seal material
K8DVC00-505-G2*	0.7	0.1	0 ÷ 2.1	PEEK	FKM
K8DVC00-545-G2*	0.7	0.1	0 ÷ 2.1	PEEK	EPDM

Flanged version

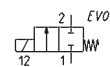


DRAWING LEGEND:

- 1 = supply
- 2 = inlet

NOTE TO THE TABLE:

* to complete the code add
VOLTAGE - POWER CONSUMPTION
(see the CODING EXAMPLE)



Mod.	Nominal diameter Ø (mm)	kv (l/min)	Min÷max pressure (bar)	Body material	Seal material
K8DV000-505-G2*	0.7	0.1	0 ÷ 2.1	PEEK	FKM
K8DV000-545-G2*	0.7	0.1	0 ÷ 2.1	PEEK	EPDM

Contacts

fluid@camozzi.com

For further information about our products and conditions of sale,
please contact the Camozzi C_Fluid Control department at:

Camozzi Automation spa

Società Unipersonale
Via Eritrea, 20/I
25126 Brescia
Italy
Tel. +39 030 37921

Technical assistance

Product inquiries and requests for support:

Tel. +39 030 3792790
service@camozzi.com

Sales Department

Tel. +39 030 3792262
sales@camozzi.com



Automation

